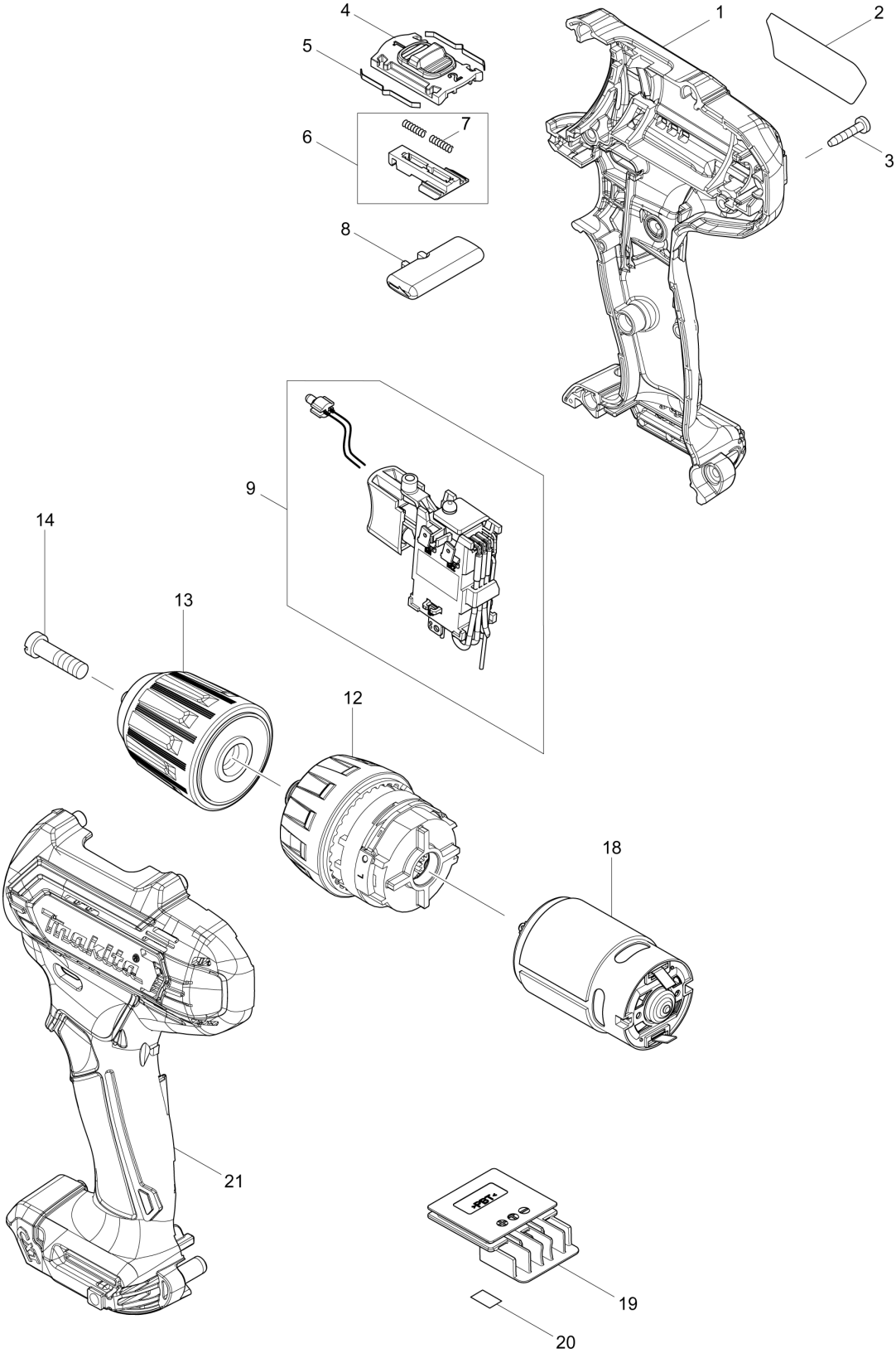


(VN) DF333D / CORDLESS DRIVER DRILL



<b>VN</b>	<b>VIETNAM</b>
-----------	----------------

### DF333D / CORDLESS DRIVER DRILL

Item	Sub	Parts No.	Parts Description	Qty	I/C	E/C No.	Close No.	Remark
001A		183K90-5	HOUSING SET	1				
001B		183K90-5	HOUSING SET	1				
001C		183K90-5	HOUSING SET	1				
001D		183K90-5	HOUSING SET	1				
001F		183L84-6	HOUSING SET	1				
	C10	252126-6	HEX. LOCK NUT M4-7	2				
	D10		INC. 21					
002		855E35-4	DF333D NAME PLATE	1				
003		266429-2	TAPPING SCREW 3X16	9				
004		459026-3	SPEED CHANGE LEVER	1				
005		232493-5	LEAF SPRING	2				
006		127127-2	CHANGE LEVER ASSEMBLY	1				
	D10		INC. 7					
007		233025-1	COMPRESSION SPRING 2	2				
008		456039-5	F/R CHANGE LEVER	1				
009		632J77-3	SWITCH UNIT	1				
	C10	620625-0	LED CIRCUIT	1				
012		127125-6	GEAR ASSEMBLY	1				
013		763238-5	KEYLESS DRILL CHUCK 10	1				
014		251468-5	- FLAT HEAD SCREW M6X22	1				
018		629395-8	DC MOTOR	1				
019		644813-5	TERMINAL	1				
020		855E42-7	DF333D SERIAL NO. LABEL	1				
021A		183K90-5	HOUSING SET	1				
021B		183K90-5	HOUSING SET	1				
021C		183K90-5	HOUSING SET	1				
021D		183K90-5	HOUSING SET	1				
021F		183L84-6	HOUSING SET	1				
	C10	252126-6	HEX. LOCK NUT M4-7	2				
	D10		INC. 1					
A01		251314-2	+ SCREW M4X12	1				
A02		346909-5	HOOK	1				
A03		784202-3	PHILLIPS BIT 2-45	1				
A04B		821661-1	PLASTIC CARRYING CASE	1				
	C10	417724-5	LATCH	2				
A04C		821661-1	PLASTIC CARRYING CASE	1				
	C10	417724-5	LATCH	2				
A04D		821661-1	PLASTIC CARRYING CASE	1				
	C10	417724-5	LATCH	2				
A04F		831497-0	TOOL BAG	1				
A05B		818P75-9	DF333DSYE MODEL NO. LABEL	1				
A05C		818P85-6	DF333DSAE MODEL NO. LABEL	1				
A05D		818P89-8	DF333DSME MODEL NO. LABEL	1				
A08B		456128-6	BATTERY COVER	1				
A08C		456128-6	BATTERY COVER	1				
A08D		456128-6	BATTERY COVER	1				
A08F		456128-6	BATTERY COVER	1				
A09B		***DC10SB	DC10SB BATTERY CHARGER	1				
	D10		COMPO-PARTS					
A09C		***DC10SB	DC10SB BATTERY CHARGER	1				
	D10		COMPO-PARTS					
A09D		***DC10SB	DC10SB BATTERY CHARGER	1				
	D10		COMPO-PARTS					
A09F		***DC10SB	DC10SB BATTERY CHARGER	1				
	D10		COMPO-PARTS					
A10B		197393-5	BATTERY BL1016 SET	2				
A10C		197396-9	BATTERY BL1021B SET	2			C5226	
A10D		197406-2	BATTERY BL1041B SET	2			C5227	
A10F		197396-9	BATTERY BL1021B SET	1				
A10-1C		197396-9	BATTERY BL1021B SET	2	O	C5226		
A10-1D		197406-2	BATTERY BL1041B SET	2	O	C5227		
E02A		163400-6	HANDSTRAP	1		D8918		
E02B		163400-6	HANDSTRAP	1		D8918		
E02C		163400-6	HANDSTRAP	1		D8918		
E02D		163400-6	HANDSTRAP	1		D8918		

A:DF333DZ(N)  
 B:DF333DSYE(H)  
 C:DF333DSAE(H)  
 D:DF333DSME(H)  
 F:DF333DSAP1(H)

Interchange  
 O : Yes  
 X : No  
 < : the new part can be substituted for the current.  
 > : the current part can be substituted for the new.  
 S : Interchangeable as a set.

